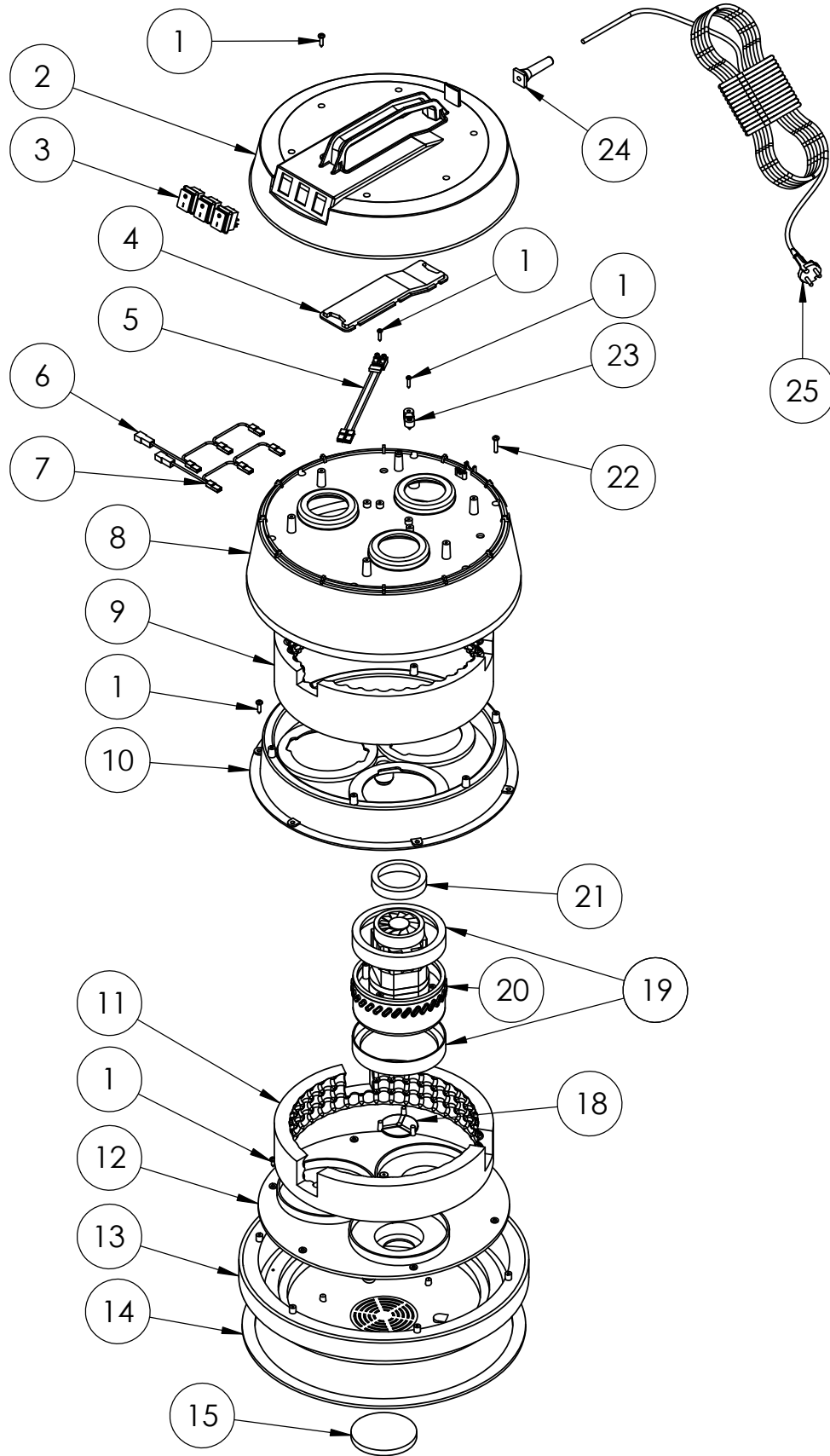
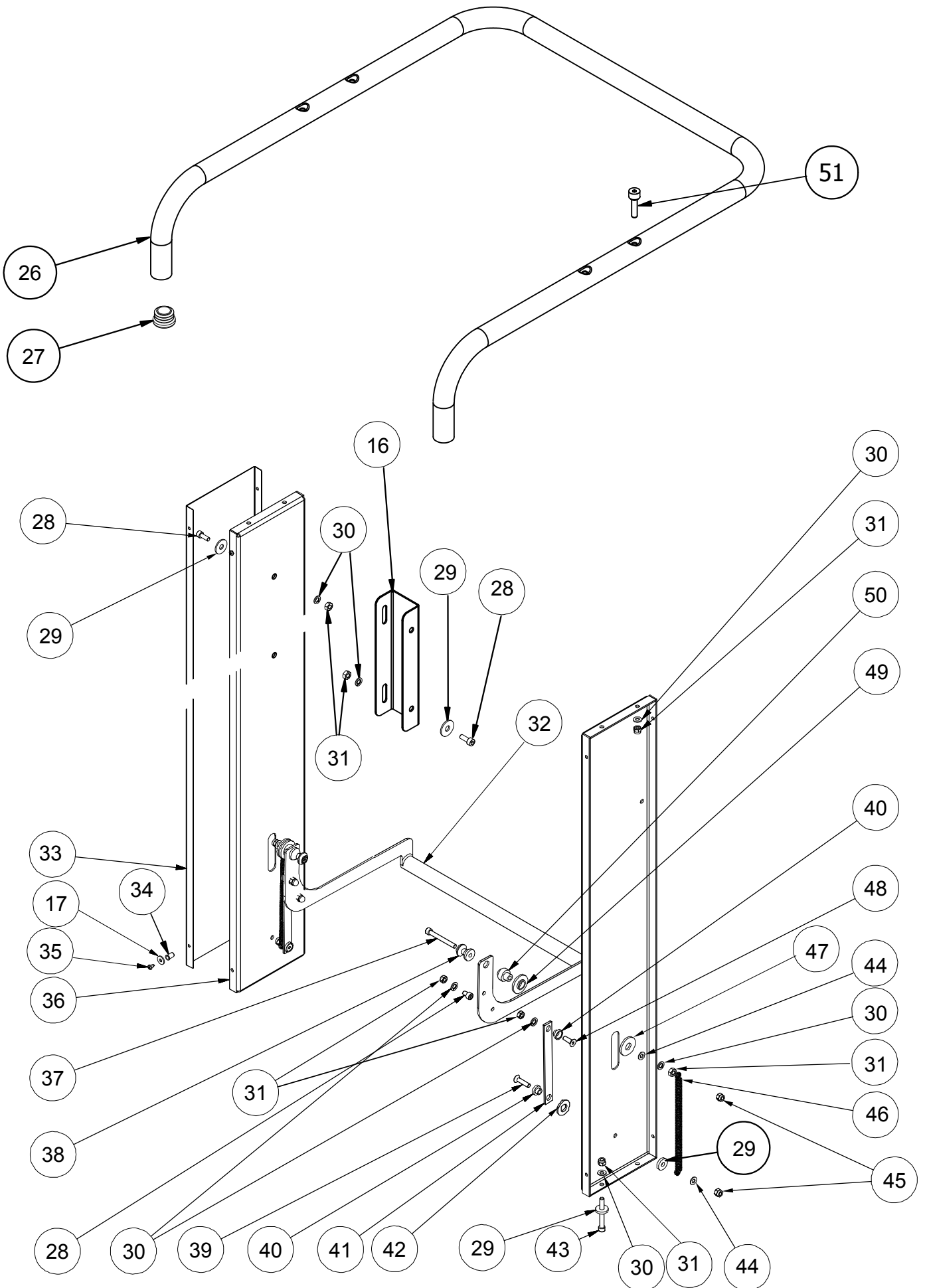


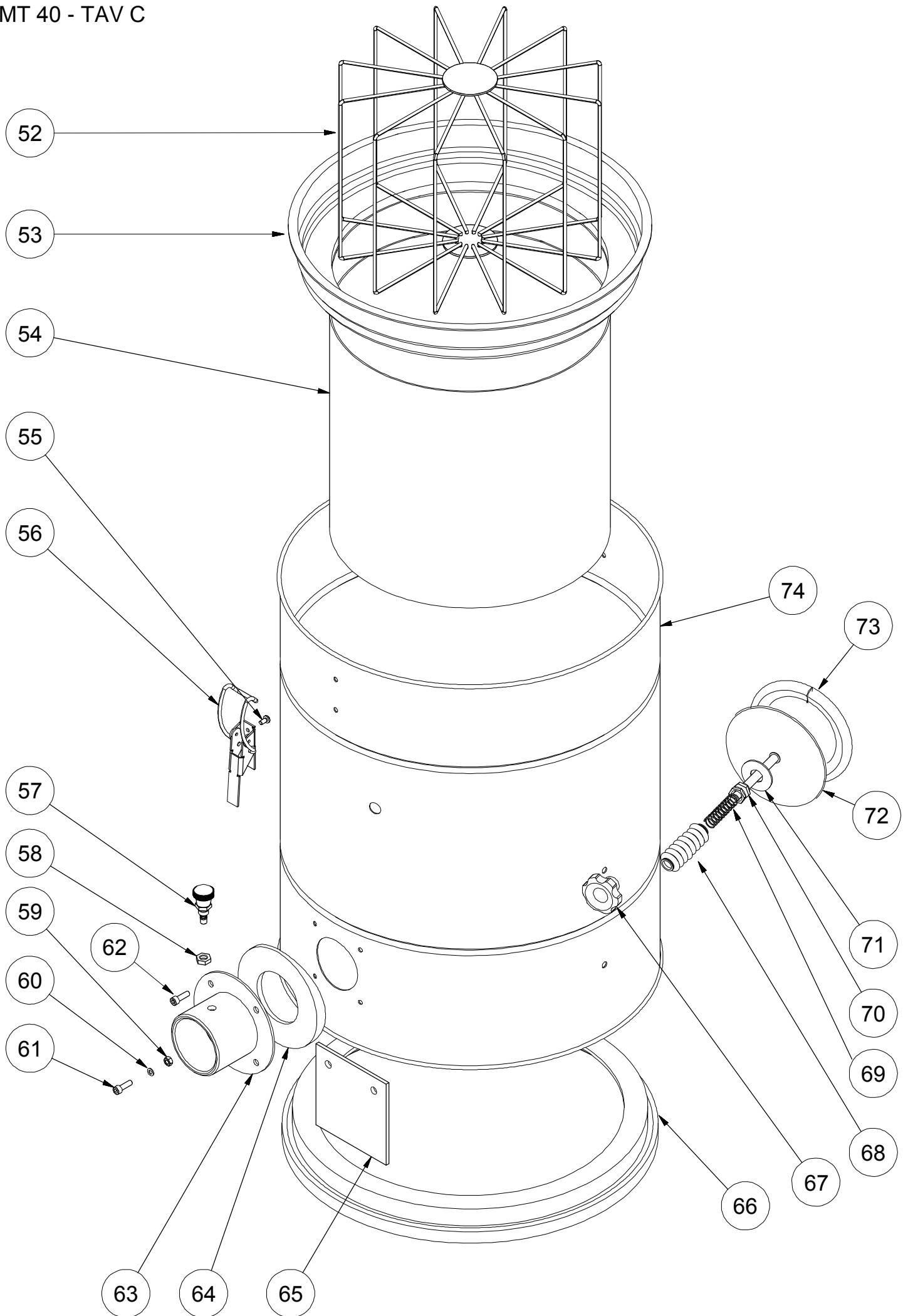
MT 40 - TAVA



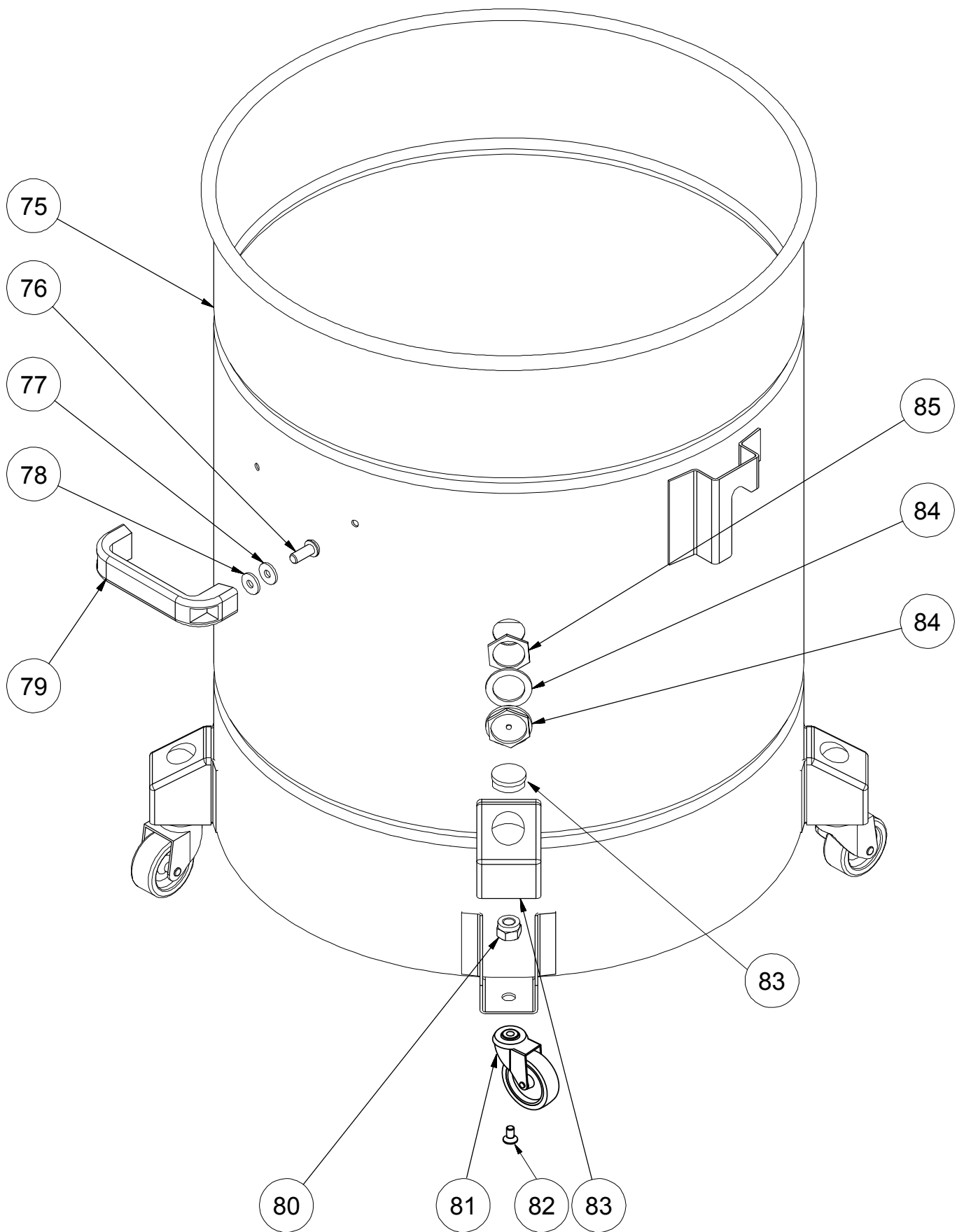
MT 40 - TAV B



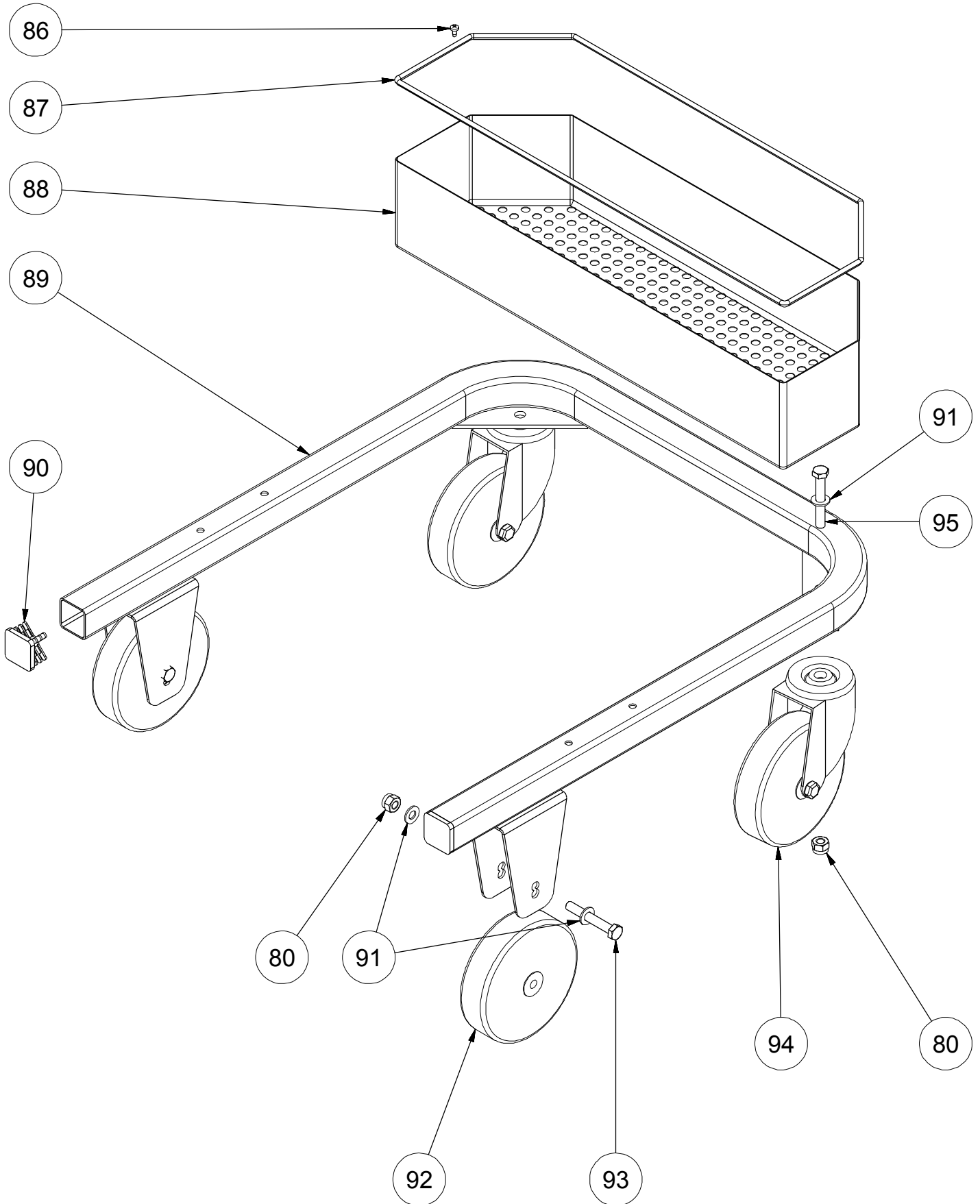
MT 40 - TAV C



MT 40 - TAV D



MT 40 - TAV E



MT 40 008.012

POS	CODE	DESCRIZIONE	DESCRIPTION
1	003.421	Vite autofil. TC 4x16 senza punta	Screw 4x16
2	001.322	Coperchio iniez. SP/SM80 - 3 tasti - grigio RAL 7016	Cover, inj.mold for SP/SM80-3buttons-grey RAL7016
3	002.30 4	Interruttore 0-1 V220 nero 4-conn con soffietto	Switch 0-1 V220 black 4-conn
4	001.324	Inserto coperchio iniez. SP/SM80 - rosso RAL 3001	Cover insert, inj.mold for SP/SM80 - red RAL3001
5	002.350	Cablaggio + condensatore Prestige	Wiring + capacitor for Prestige
6	002.399.004	Ponte di cavetti marrone testata 3 motori	Wire bridge, brown, for 3-motorhead
7	002.399.005	Ponte di cavetti azzurro testata 3 motori	Wire bridge, blue, for 3-motorhead
8	001.338	Calotta SP/SM80 (T) rosso RAL 3001	Cap SP/SM80(T) red RAL 3001
9	001.409	Insonorizzante sup. testata SP/SM80-QBAT-MT	Upper silencing foam of motorhead SP/SM80-QBAT-MT
10	001.301	Anello intermedio SP/SM80 (T)	Intermediate ring SP/SM80 (T)
11	001.408	Insonorizzante inf testata 2/3 motori x SP/SM80-QBAT-MT	Lower silencing foam for motorhead of SP/SM80-QBAT-MT
12	001.303	Basamento motore SP/SM80 (T)	Motor support base SP/SM80 (T)
13	001.307	Basamento testata SP/SM80 (T)	Motorhead support base SP/SM80 (T)
14	001.313	Guarnizione basamento testata SP/SM80 (T)	Gasket for motorhead support SP/SM80 (T)
15	001.410	Filtro protezione motore testata 2/3 motori	Motor protection filter 2/3 motorhead
16	001.030	Staffa C x involucro superiore MT-TCX	C-bracket for upper tank of MT-TCX
17	003.410	Rondella piana M5 UNI6592 ZN	Washer M5 zn
18	001.302	Valvola non-ritorno x motor SP/SM80 (T)	One-way valve for motor SP/SM80(T)
19	001.312	Guarnizione motore "L" sp 7mm	Motor gasket "L" thickness 7mm
20	002.039	Motore A40 - 230V completo di cavi	Motor A40 - 230V complete with wiring
21	001.331	Guarnizione "L" T1 sp 8mm	Gasket "L" T1 sp 8mm
22	003.380	Vite TC 5x25	Screw 5x25
23	002.336	Pressacavo a ponticello per SP-SM	Cord support bridge for SP-SM
24	002.300	Passacavo per Prestige	Cord support for Prestige
25	002.303	Cavo 2x1,5 - 7m spina shuko testata 2/3motori	Power cord 2x1,5 - 7m - Shuko plug for 2/3 motorhead
26	001.074	Maniglia spostamento TT-MT	Handle for manoeuvring TT-MT
27	003.035	Tappo tubo tondo diam. 30	Round stopper d.30
28	003.354	Vite TCEI 8,8 - 8x16 UNI5931 zn	Screw TCEI 8,8 - 8x16 UNI5931 zn
29	003.432	Rondella 8x24 zn	Washer 8x24 zn
30	003.383	Rondella spaccata M8 UNI1751 ZN	Split washer M8 UNI 1751 ZN
31	003.418	Dado ES M8 5588 ZN	Nut ES 5588 M8
32	001.069	Maniglia sollevamento TT-MT	Handle for tank lifting mechanism TT-MT
33	001.028	Pannello copri-spalla TCX-MT	Side support panel for TCX-MT
34	003.033	Inserto filettato UNI 9202-A/M5-8	threaded insert M5
35	003.048	Vite TCEI 8.8 5x10 znt	Screw TCEI 8.8 5x10 znt
36	001.027	Spalla TCX-MT	Side support for TCX-MT
37	003.388	Vite TCEI 8x70 zn	Screw 8x70 zn
38	001.001	Gancio sollevamento involucro inferiore	Support groove for lower tank lifting mechanism
39	003.026	Vite testa svasato 8x25 zn	Screw 8x25 zn
40	001.013	Boccola acciaio	Bush, steel
41	001.014	Leva sollevamento	Lever for tank lifting mechanism
42	003.387	Rondella M12 zn	Washer M12 zn
43	003.029	Vite TC brugola 8x55	Screw TC 8x55
44	003.087	Rondella UNI6592 M8	Washer UNI6592 M8
45	003.001	Dado 6S M8 DIN982/985 autoblocc.	Nut M8
46	001.006	Molla sollevamento	Spring for tank lifting mechanism
47	001.011	Rondella piatta sollevamento fusto	Flat washer for tank lifting mechanism
48	003.399.009	Vite VSP 10.9 8x30 UNI5933 zn	Screw, countersunk, UNI5933 - M8 x 30
49	001.012	Rondella sollevamento acciaio 1/4	Washer, steel 1/4 for tank lifting mechanism
50	001.010	Distanziale ferma-maniglia	Spacer for handle block

MT 40 008.012

POS	CODE	DESCRIZIONE	DESCRIPTION
51	003.124	Vite TBEI 10.9 8x45 UNI5933 zn	Screw TBEI 10.9 8x45 UNI5933 zn
52	001.111	Cestello scuoti-filtro stellare x TT/MT	Basket for large filter shaker for MT-TT
53	004.105	Anello porta-filtro per SP-SM80/QT/MT/TT	Filter support ring for SP-SM80/QT/MT/TT
54	004.107	Filtro cilindrico standard per SP-SM80/QT/MT/TT	Filter, polyester, cylindrical for SP-SM80/QT/MT/TT
55	003.017	Rivetto all. 4,8 x 10 D10	Rivet 4,8x10 d.10 aluminium
56	003.067	Gancio a filo piccolo	Tank latch, small
57	001.086	Pistoncino a molla (ns)	Spring-loaded hose release
58	003.547	Dado 12x1,5 zn	Nut 12x1,5 zn
59	003.004	Dado esagonale 982/985 M6 autobloccante	Nut, hexagonal 982/985 M6
60	003.310	Rondella A2 6593 6x18	Washer, flat with large hole 6x18 inox
61	003.105	Vite TBEI 10,9 M6x20 znt	Screw TBEI 10,9 M6x20 zn
62	003.355	Vite TBEI 10,9 M6x25 znt	Screw TBEI 10,9 M6x25 zn
63	001.043	Bocchettone diametro 70	Vacuum inlet diameter 70
64	001.175	Guarizione bocchettone diam.70	Gasket for vacuum inlet diam.70
65	004.178	Deflettore per bocchettone diam.70	Deflector for vacuum inlet diam.70
66	001.154	Guarniz. tra inv. sux/inf MT-TT-MTV-TTV	Gasket, intermediate TT-MT
67	003.061	Volantino D.50 M10F per scuotifiltro	Knob D.50 M10F for filter shaker
68	003.146	Soffietto per scuotifiltro	Gasket, for filter shaker of TT-MT-TTX
69	001.091	Molla per scuotifiltro TT-MT-TTX	Spring for filter shaker of TT-MT-TTX
70	003.072	Passaparete per scuotifiltro TT-MT-TTX	Bulkhead for filter shaker of TT-MT-TTX
71	003.058	Rondella M16 zn	Rondella M16 zn
72	001.166	Disco 120x10.5x2mm x scuotifiltro indust	Disk 120x10.5x2mm for filter shaker of TT-MT-TTX
73	003.041	Profilo pinzabile portezione (0,37 mtr)	Protective profile, pinched (0,37mtr)
74	001.092	Involucro superiore TT-MT INOX AISI 304	Upper tank TT-MT stainless steel AISI 304
75	001.093	Involucro inferiore TT-MT INOX AISI 304	Lower tank TT-MT stainless steel AISI 304
76	003.374	Vite TC 5x20	Screw 5x20
77	003.077	Rondella d.6x24 UNI 6593 zn	Washer d.6x24 UNI 6593 zn
78	003.353	Rondella sugero 6x24 sp.3	Cork washer 6x24 thickness 3mm
79	001.340	Maniglia in nylon	Handle, nylon
80	003.002	Dado esagonale 982/985 M10 autobloccante	Nut, hexagonal 982/985 M10 autobloccante
81	003.318	Ruota d.80 x SM80 BPL-SM80F-EX 80	Wheel d.80 for SM80BPL-SM80F-EX80
82	003.399.014	Vite VSP 10.9 10x35 UNI5933 zn	Screw VSP 10.9 10x35 UNI5933 zn
83	003.043	Copri-ruota plastica nera	Wheel cover, plastic, black
84	003.016	Oblo con guarnizione	Obloe with gasket
85	004.369	Ghiera per curva 1"	Ferrule for 1" curve
86	003.150	Vite TC 4,2x16 autofor. znt	Screw TC 4,2x16
87	003.041	Profilo pinzabile portezione (1,4 mtr)	Protective profile, pinched (1,4mtr)
88	001.037	Cestello porta oggetti TTX-TT-MT h120	Tool basket for TTX-TT-MT h120
89	001.064	Telaio TT/MT completo	Base frame for TT/MT, complete
90	003.060	Tappo quadro 40x40	Stopper, square 40x40
91	003.023	Rondella M10 zn	Washer M10 zn
92	003.066	Ruota d.125 X MT /TT	Wheel diameter 125 for TT-MT
93	003.389	Vite TE 10x70 zn	Screw 10x70 zn
94	003.065	Ruota piroettante d.125 con freno MT/TT	Wheel d.125 with brake for TT-MT
95	003.384	Vite TE 8.8 10x30 UNI5739 ZN	Screw, hexagonale head UNI5739-M10x30